

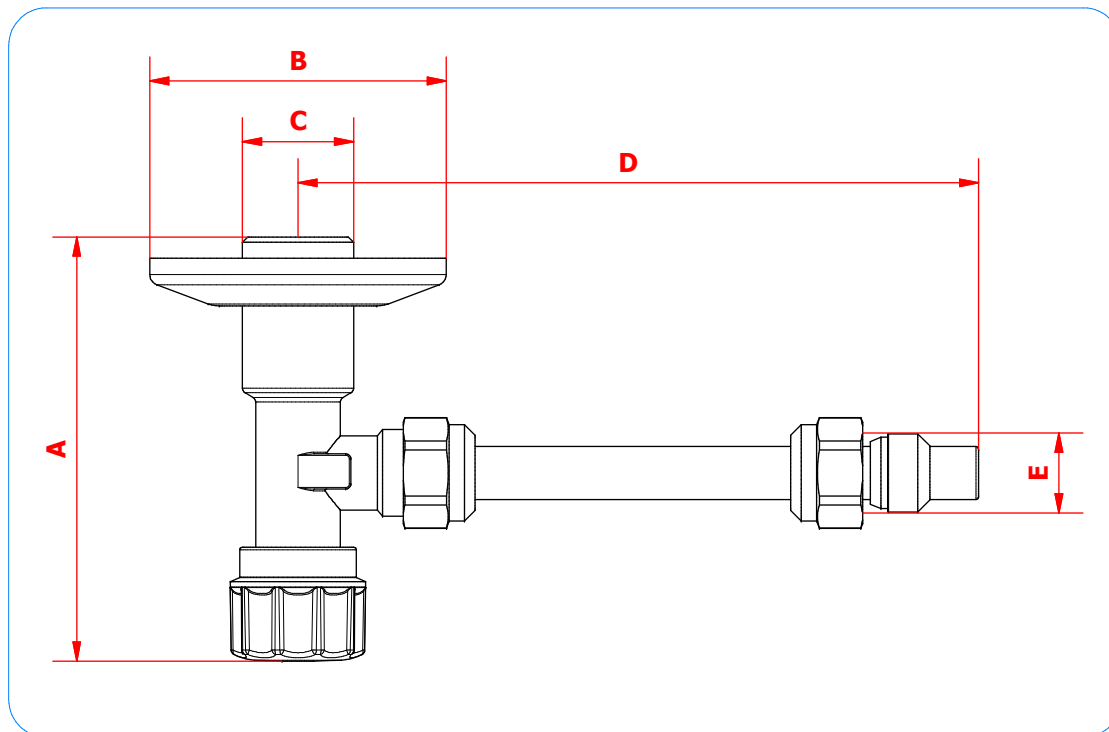
Serie 100.1

Rubinetto per cassetta WC completo di calotte - rosone - tubo rame Dia. 10X120

Tap for WC tank With caps - wascher - copper tube Diameter 10X120

SCHEDE TECNICHE
TECHNICAL INFO

Made in Italy



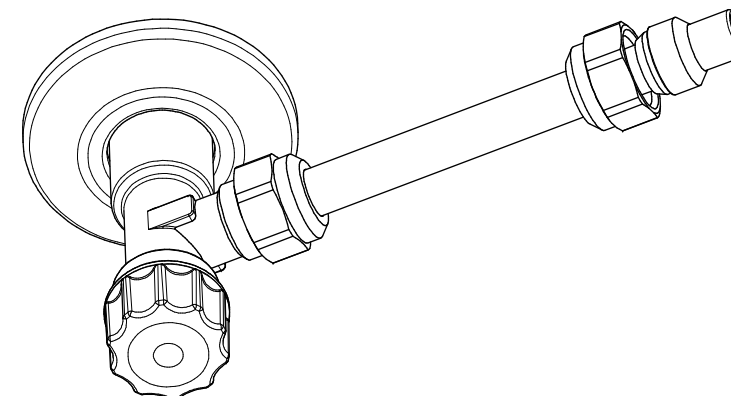
Temperatura massima dell'acqua consigliata

Maximum recommended working temperature

C°
60

Materiali Materials

CW617N UNI EN 12165	CW614N UNI EN 12164	CW024A UNI EN 1652
AISI 304	NBR	ABS



Misure di ingombro - Overall dimensions (mm)

Art.	A	B	C	D	E
100.138	76	56	3/8"	128	3/8"
100.112	76	56	1/2"	128	3/8"