

## Serie 100.2

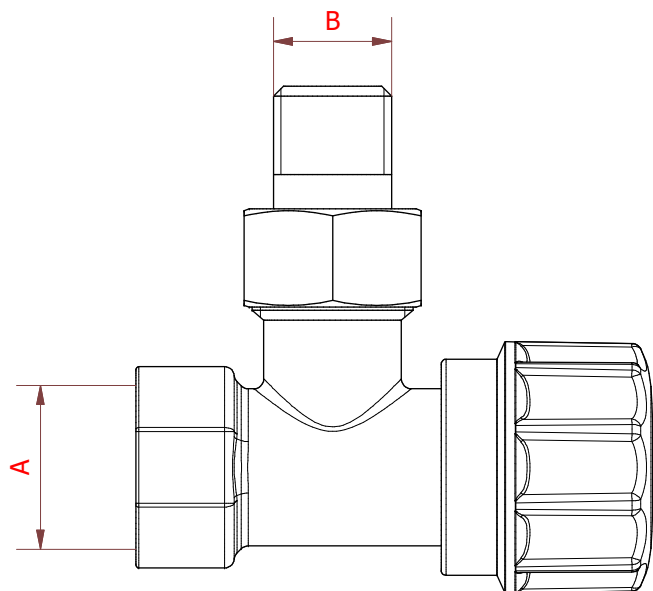
Rubinetto attacco femmina 3/8",  
calotta 3/8", codolo filettato 12/19.

Tap for wc tank with female connection 3/8",  
cap 3/8", tang threaded 12/19.



**SCHEDE TECNICHE**  
TECHNICAL INFO

Made in Italy



Temperatura massima dell'acqua consigliata  
Maximum recommended working temperature

C°
60

### Materiali - Materials

CW617N UNI EN 12165	CW614N UNI EN 12164	AISI 304	NBR	ABS
------------------------	------------------------	----------	-----	-----

### Misure d'ingombro - Overall dimensions (mm)

Art.	A	B
100.238	3/8" GAS	12X19

