

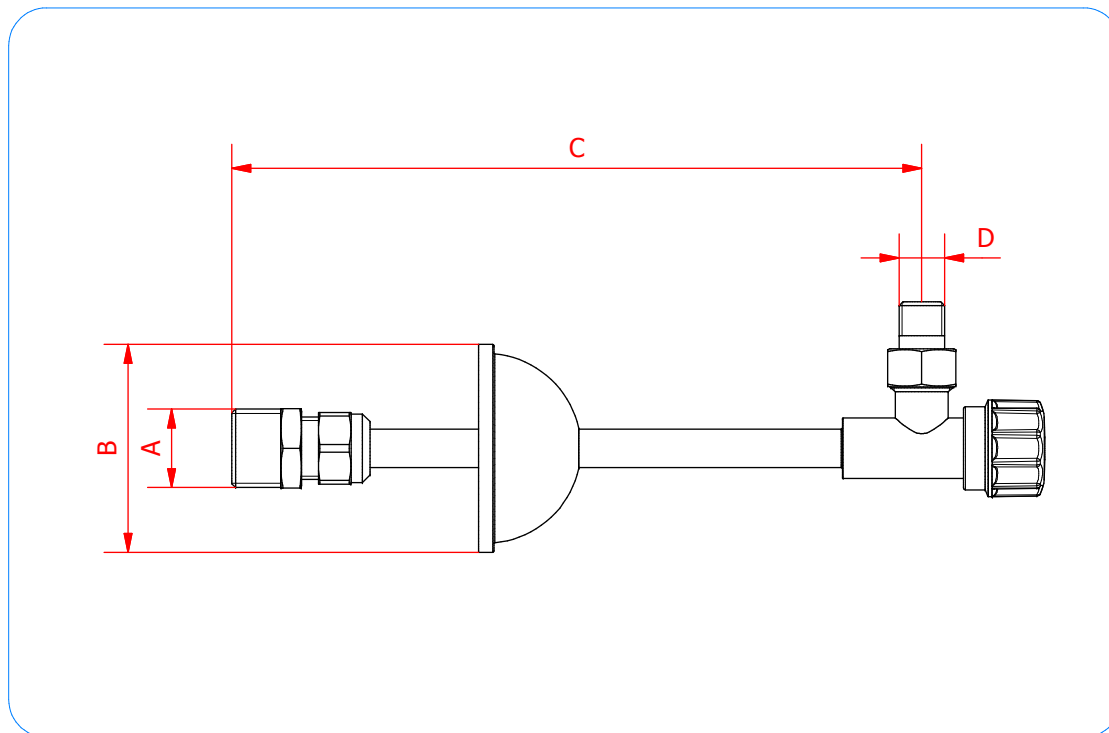
Serie 100.3

Rubinetto completo di prolunga saldata, rosone, calotta 3/8", codolo filettato 12/19, nipples 3/8" o 1/2"

Tap for wc tank with welded extension, washer, cap 3/8", tang threaded 12/19, nipples 3/8" or 1/2"

SCHEDE TECNICHE
TECHNICAL INFO

Made in Italy



Temperatura massima dell'acqua consigliata

Maximum recommended working temperature

C°
60

Materiali Materials

CW617N UNI EN 12165	CW614N UNI EN 12164	CW024A UNI EN 1652
AISI 304	NBR	ABS

Misure di ingombro - Overall dimensions (mm)				
Art.	A	B	C	D
100.338	3/8" GAS	54,5	= < 180	12X19
100.312	1/2" GAS	54,5	= < 180	12X19

