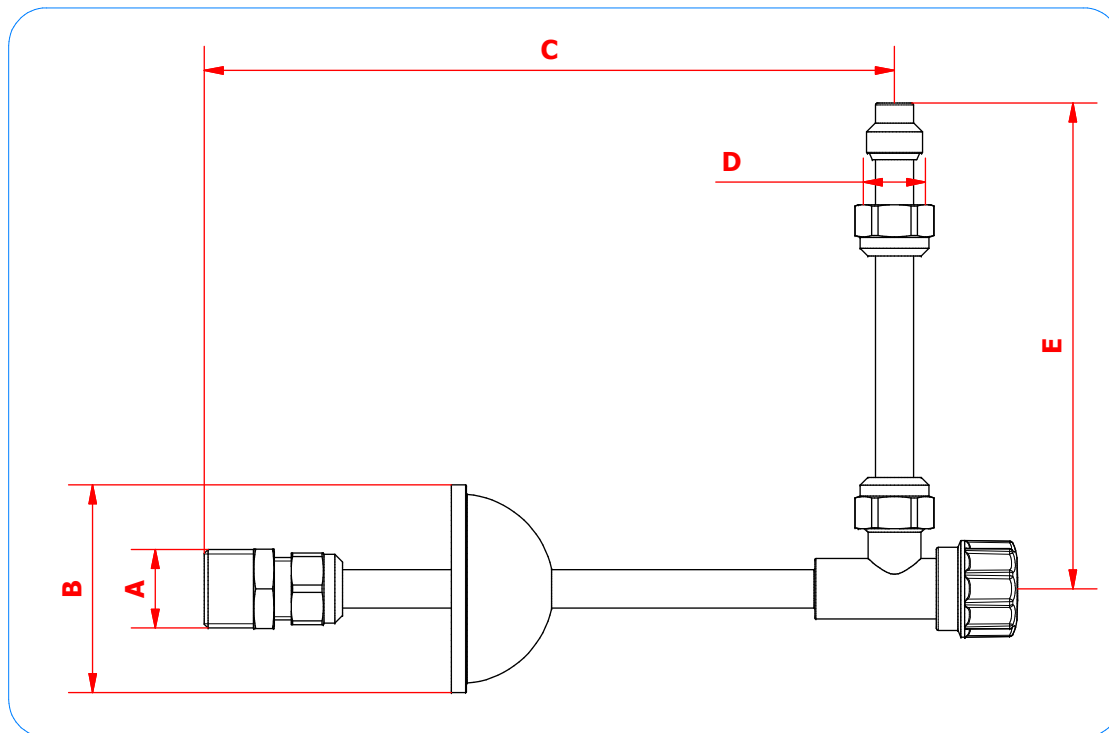


# Serie 100.4

Rubinetto completo di prolunga saldata, rosone, 2 tubi rame Ø 10×120, nipples 3/8" o 1/2"

Tap for wc tank with welded extension, washer, 2 copper tubes Ø 10x120, nipples 3/8" or 1/2"

Made in Italy



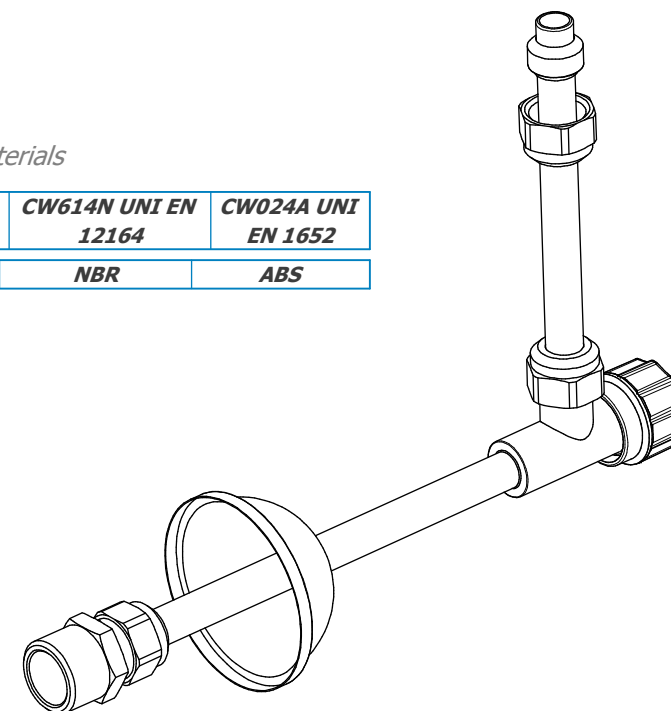
### Temperatura massima dell'acqua consigliata

Maximum recommended working temperature

C°
60

### Materiali - Materials

<i>CW617N UNI EN 12165</i>	<i>CW614N UNI EN 12164</i>	<i>CW024A UNI EN 1652</i>
<i>AISI 304</i>	<i>NBR</i>	<i>ABS</i>



### Misure di ingombro - Overall dimensions (mm)

Art.	A	B	C	D	E
100.438	3/8" GAS	54,5	=<180	3/8" GAS	=<128
100.412	1/2" GAS	54,5	=<180	3/8" GAS	=<128