

Serie 8.00

Rubinetto Galleggiante silenzioso
con asta fissa in ottone

Noiseless float valve
with fixed brass rod

SCHEDE TECNICHE
TECHNICAL INFO

Made in Italy



Pressione massima di esercizio consigliata *Maximum recommended working pressure*

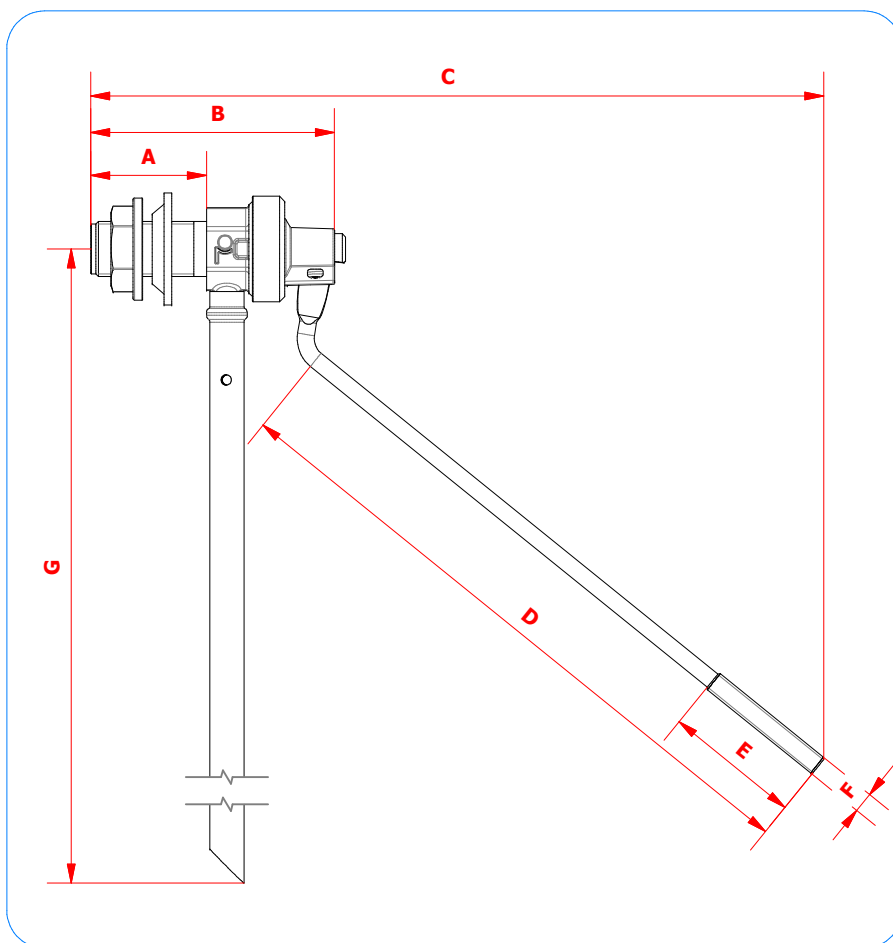
bars
5

Temperatura massima dell'acqua consigliata *Maximum recommended working temperature*

C°
60

Materiali - Materials

CW617N UNI EN 12165	CW614N UNI EN12164	CW508L UNI EN12166	AISI 304	NR / SBR	PVC
---------------------	--------------------	--------------------	----------	----------	-----



Misure di ingombro - Overall dimensions (mm)

Codice / Code	DN	A	B	C	D	E	F	G
8.1	3/8" GAS	34	73	230	190	40	1/4" W	210
8.1	1/2" GAS	35	76	230	190	40	1/4" W	210
8.2	3/8" GAS	34	73	190	150	40	1/4" W	210
8.2	1/2" GAS	35	76	190	150	40	1/4" W	210
8.3	3/8" GAS	34	73	280	260	40	1/4" W	210
8.3	1/2" GAS	35	76	280	260	40	1/4" W	210
8.4	3/8" GAS	34	73	280	260	-	5	210
8.4	1/2" GAS	35	76	280	260	-	5	210

Sfere consigliate - Recommended size balls

DN	In Plastica / In Plastic	In Rame / In Copper
3/8"	90 / 120	90
1/2"	90 / 120	100